

DOT 200x35 P DEEP MARK

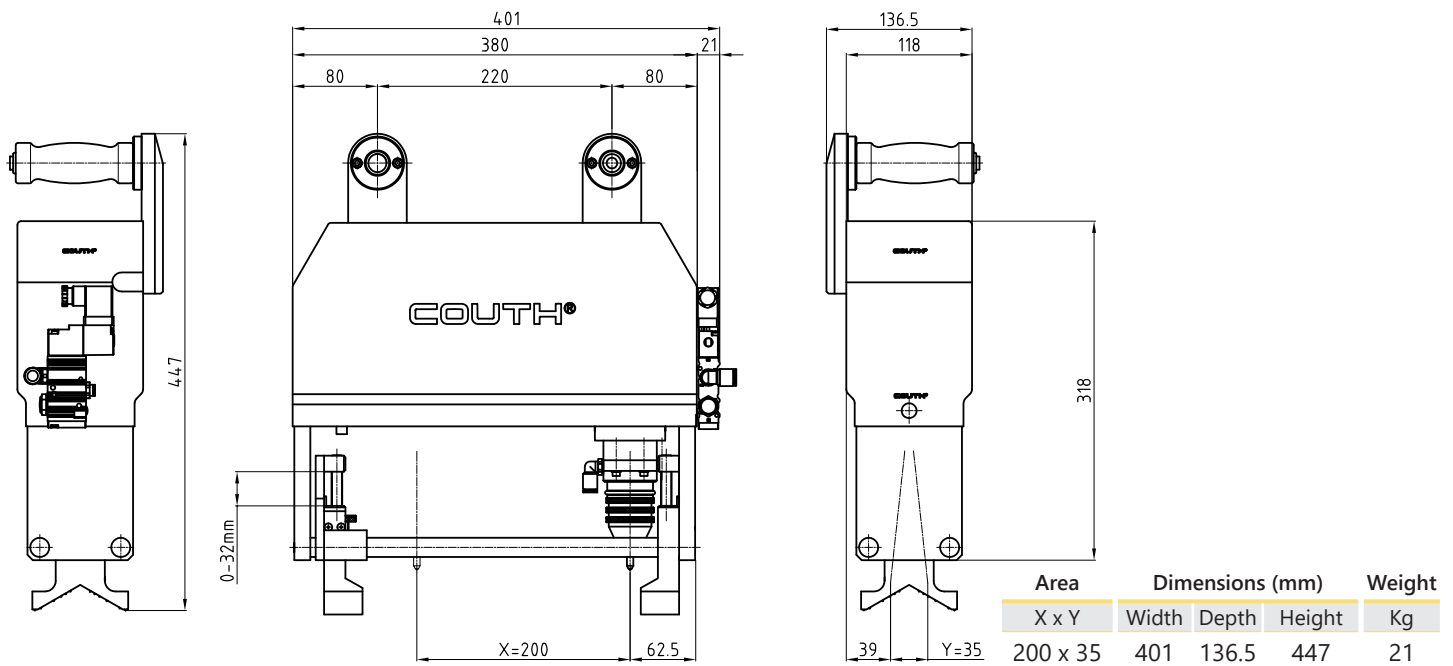
PORTABLE · DOT PEEN MARKING

- **Portable** dot peen marking unit for **deep marking**, especially designed for **marking pieces that are large-sized**, in any area and position, **with later treatment** (blasting, machining, grinding, painting, etc.)



ADVANTAGES

- Provides for marking in **any zone and position** with a ring for greater **operator safety and rest**.
- **Built-in supports** to properly secure and have appropriate distance between the marking unit and the piece, **thereby guaranteeing mark quality**.
- **Very deep mark**, more than 0.5 mm, at optimum speed.
- Marking for **all kinds of materials and hardnesses**, up to 62HRC.
- **Highly robust, long-lasting and resistant**, especially designed for the most demanding industrial settings - heavy duty industry.
- Maximum reliability, **lower maintenance costs**.



CHARACTERISTICS

- 200 x 35 mm marking area.
- Speed up to 4 characters/second (large characters)
- 6-bar air pressure.
- Hardness of materials to mark up to 62HRC.
- Wide range of characters, from 0.1 mm to complete area.
- Marking alphanumeric codes, logotypes, DATAMATRIX™, QR codes, etc.
- N34 pneumatic header, special for deep marking, and optional (N7, N10, N14, N20) pneumatic header.
- Optional support; tip or window option, depending on the piece to mark.
- Optional protection system that is easy to assemble and disassemble.
- 5 meter robotics cable, with customisation possibilities.
- Connection with COUTH control unit (see technical file for more information).
- PC edition software.