

DOT 72 x 35U DEEP MARK

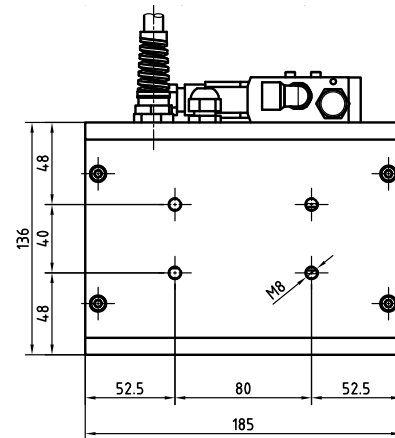
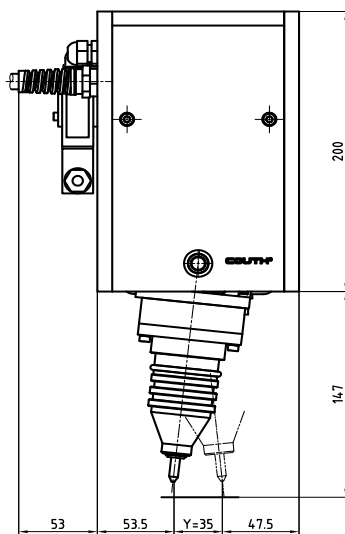
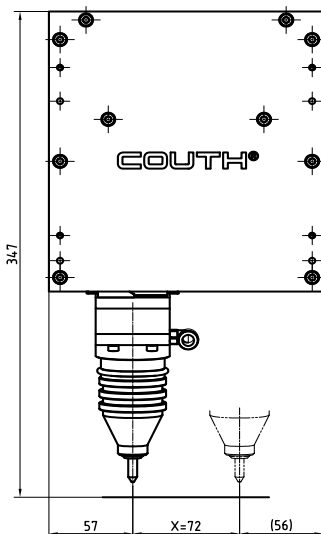


INTEGRABLE · DOT PEEN MARKING

- Dot peen marking unit for **deep marking**, especially designed to be integrated into the most demanding production lines - **heavy duty industry** and for marking **pieces with later treatment** (blasting, machining, grinding, painting, etc.)

ADVANTAGES

- **Very deep mark**, more than 0.5 mm, at optimum speed.
- **Highly robust, long-lasting and resistant**, especially designed for the most demanding industrial settings - heavy duty industry.
- Maximum reliability, **uninterrupted productions** and reduced maintenance costs.
- Marking for **all kinds of materials and hardnesses**, up to 62HRC.
- **Compact, simple to integrate**, thanks to the small size.



Area X x Y	Dimensions (mm)			Weight Kg
	Width	Depth	Height	
72 x 35	185	136	347	11

CHARACTERISTICS

- 72 x 35 mm marking area.
- Speed up to 4 characters/second (large characters)
- 6-bar air pressure.
- Hardness of materials to mark up to 62HRC.
- Wide range of characters, from 0.1 mm to complete area.
- Marking alphanumeric codes, logotypes, DATAMATRIX™, QR codes, etc.
- N34 pneumatic head, special for deep marking, and optional N20 pneumatic head.
- Protection system option.
- 2.5-meter robotics cable, with customisation possibilities.
- Connection with COUTH control unit for integration into production lines (see technical file for more information).
- PC edition software.